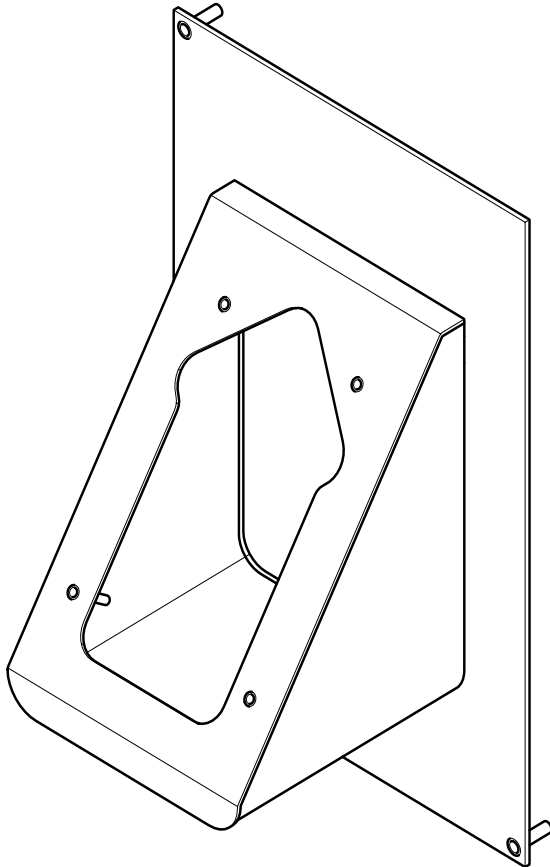


# Installation Guide

## SPSK502

### SCO Kiosk set for Storm 1400 series



**CAUTION**

This product is intended for indoor use only.

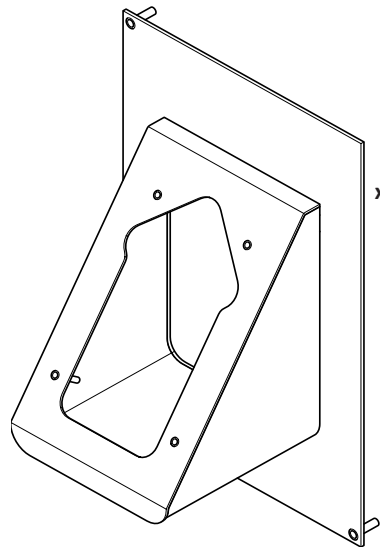
If these installation instructions are not followed correctly, it could lead to product failure and potential personal injury.

Ergonomic Solutions/SpacePole cannot be held responsible for any failure or injury, if the installation instructions are not followed correctly.

**Tool list**



**Box content**



x1 Cover (A)

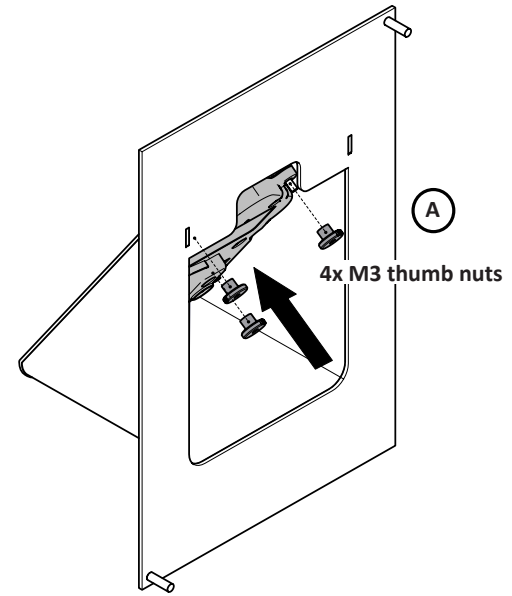


x2 M4 nuts



x4 M3 thumb nuts

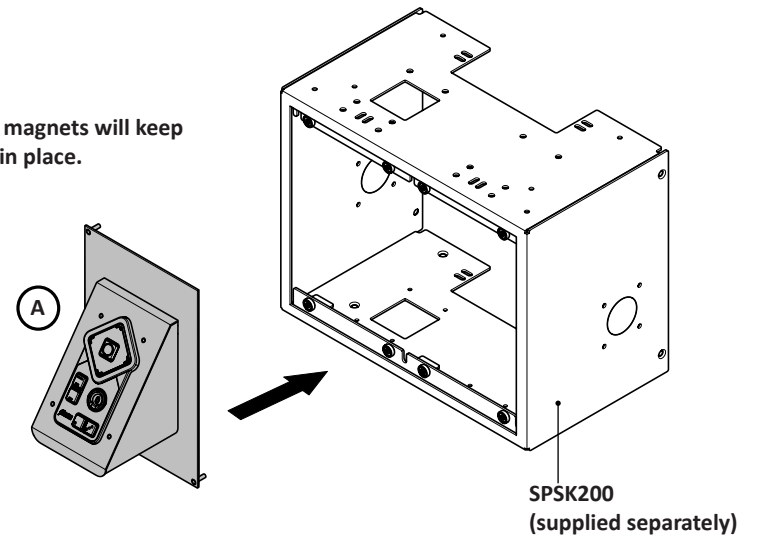
**1 Mount hardware onto cover**



4x M3 thumb nuts

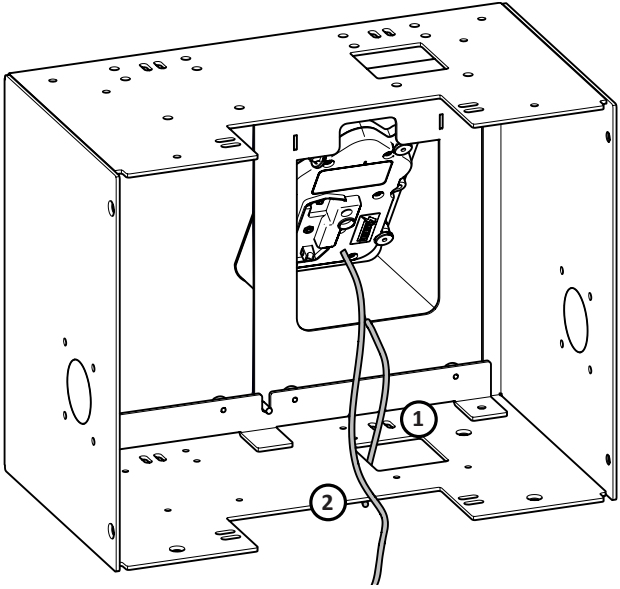
**2 Mount hardware cover**

Note: The magnets will keep the cover in place.



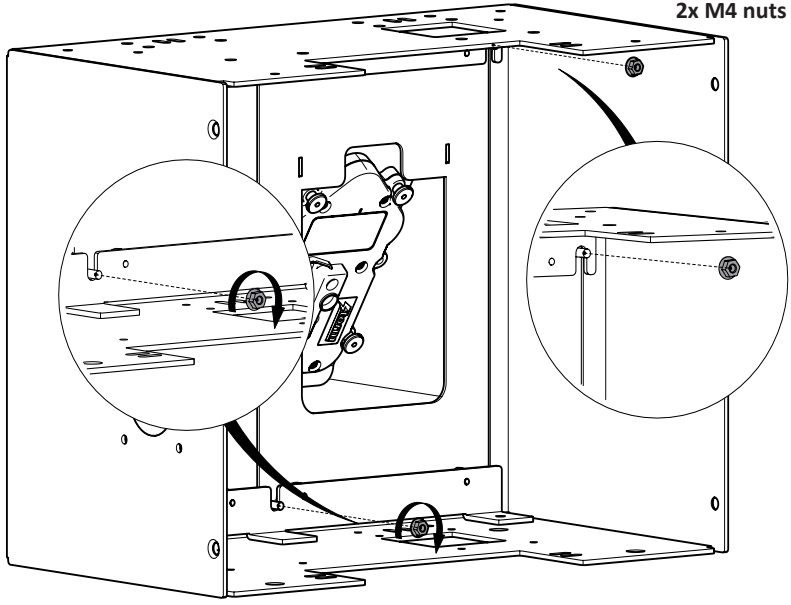
SPSK200  
(supplied separately)

**3** Cable management



Two options for cable management.

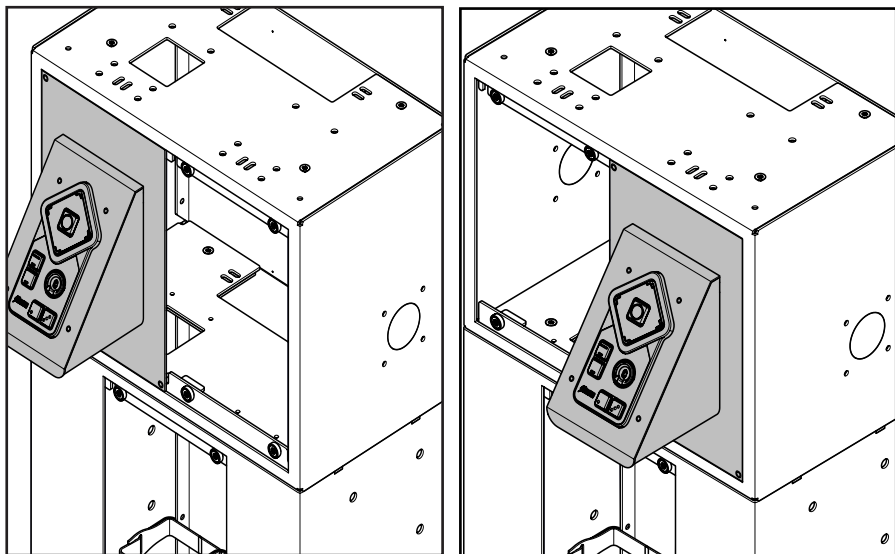
**4** Optional: Secure cover with nuts



2x M4 nuts

## Three options for mounting places

Center module



Floorstand

